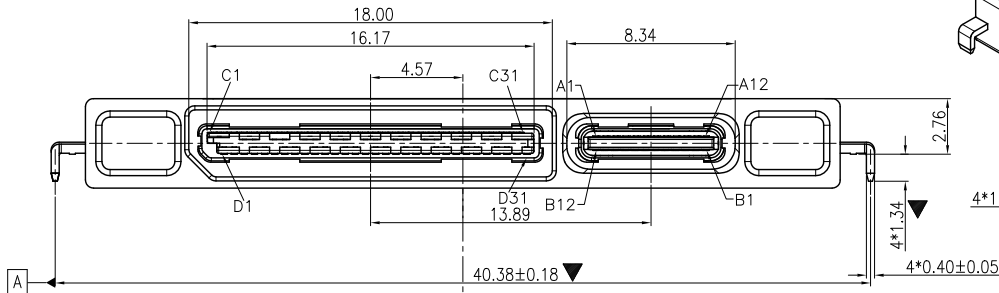
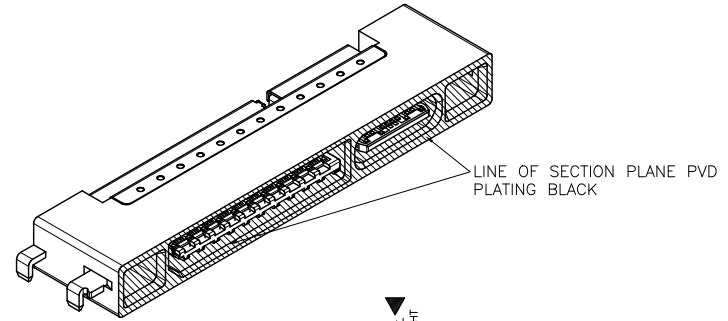
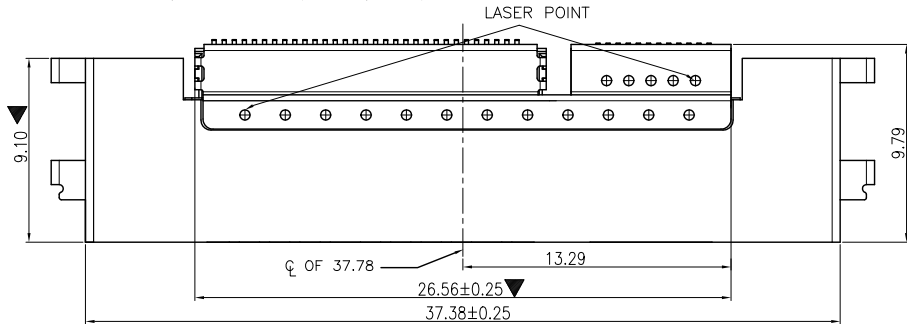
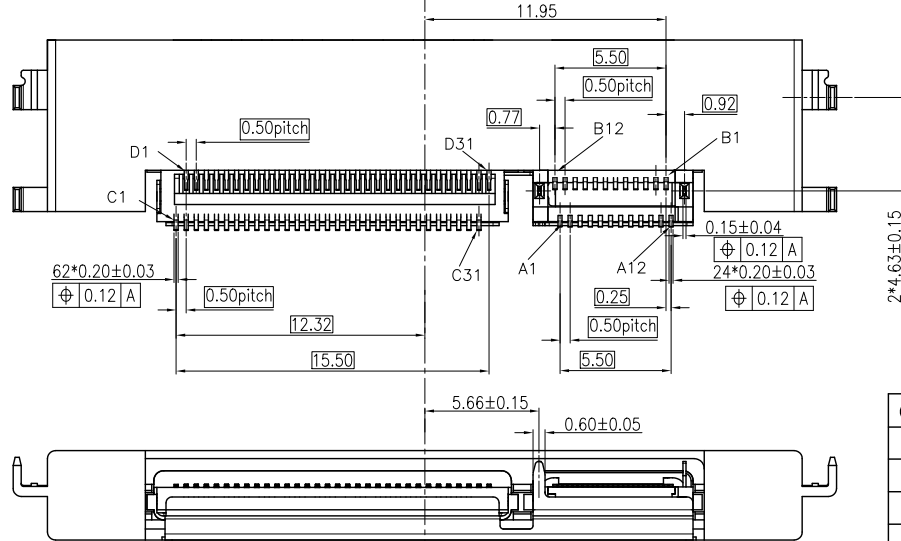


此文件为双方验收的唯一标准  
This document is the only standard for inspection by both parties

REV.	ECN.NO.	MODIFY.CONTENT	DATE
A	---	初版发行	11/02'20
A1	---	包装数量由800/卷改到400/卷	01/08'21
A2	---	依客户要求修改公差 $\Delta$	01/19'21



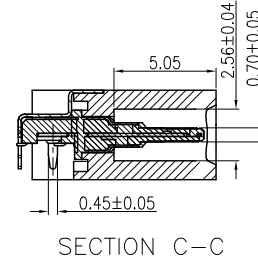
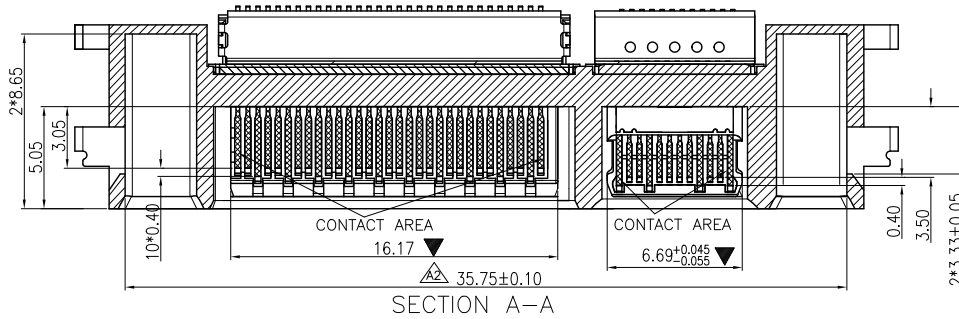
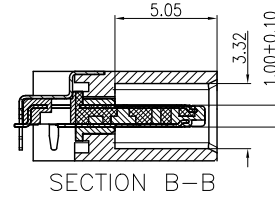
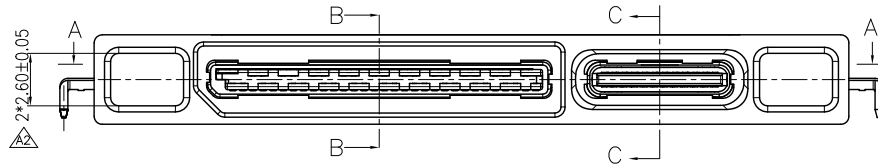
13	TYPE-C CENTER PLATE	1 PCS	SUS301-EH	30u" MIN. SOLDERABLE NI PLATING ON ALL
12	TYPE-C BOTTOM CONTACT	1 SET	C18150-R540	50u" MIN. NI UNDER PLATING. GOLD FLASH PLATING ON SOLDER AREA. GOLD FLASH PLATING ON CONTACT AREA
11	TYPE-C TOP CONTACT	1 SET	C18150-R540	GOLD FLASH PLATING ON SOLDER AREA. GOLD FLASH PLATING ON CONTACT AREA
10	TYPE-C TOP MOLD	1 PCS	LCP	UL94V-0, BLACK.
9	TYPE-C BOTTOM MOLD	1 PCS	LCP	UL94V-0, BLACK.
8	TYPE-C TOP-EMI Pad	1 PCS	SUS304	NO PLATING
7	TYPE-C Bottom EMI Pad	1 PCS	SUS304	NO PLATING
6	PCIE-TOP CONTACT	1 SET	C2680-EH	50u" MIN. NI UNDER PLATING. GOLD FLASH PLATING ON SOLDER AREA. GOLD FLASH PLATING ON CONTACT AREA
5	PCIE-BOTTOM CONTACT	1 SET	C2680-EH	GOLD FLASH PLATING ON SOLDER AREA. GOLD FLASH PLATING ON CONTACT AREA
4	PCIE-2nd MOLD	1 PCS	LCP	UL94V-0, BLACK.
3	PCIE-1st MOLD	1 PCS	LCP	UL94V-0, BLACK.
2	BACK SHELL	1 PCS	SUS304	30u" MIN. SOLDERABLE NI PLATING ON ALL
1	MIM	1 PCS	MIM-17-4PH OROR SUS316	50u" MIN. SOLDERABLE NI PLATING ON ALL Frame Mouth PLANE PVD PLATING BLACK
NO.	PART NAME.	QTY.	MATERIAL	FINISH



GENERAL TOLERANCE		DRAWN	WenhongSu	01/19'21	SCALE	PART NO.	1UBC066 * 86R11-HF
X.±0.30	x.*±1°	CHECKED	Ray.Lee	01/19'21	N/A	TITLE	2IN1,TYPE-C 24P AND PCIE 62P
.X±0.25	.x*±0.1°	APPROVED	Murray Lu	01/19'21	UNITS	mm	CUSTOMER DRAWING
.XX±0.20		File NO.	UBC06602S				
.XXX±0.10		REV.					
SHEET	1/4	QTY	1	A2	蘇州祥龍嘉業電子科技股份有限公司 Goldenconn Electronics Technology Co.,LTD		

此文件为双方检验的唯一标准  
This document is the only standard for inspection by both parties

REV.	ECN.NO.	MODIFY.CONTENT	DATE
A	---	初版发行	11/02'20
A1	---	包装数量由800/卷改到400/卷	01/08'21
A2	---	依客户要求修改公差	01/19'21



SPECIFICATION:

1.ELECTRICAL CHARACTERISTICS:

1.1 TYPE-C REC. CURRENT RATING:

A current of 5 A shall be applied collectively to VBUS pins (i.e., pins A4, A9, B4, and B9) and 1.25 A shall be applied to the VCONN pin (i.e., B5 of the plug connector) with the return path through the corresponding GND pins (i.e., pins A1, A12, B1, and B12). A minimum current of 0.25 A shall also be applied individually to all the other contacts.

1.2 TYPE-C CONTACT RESISTANCE: INITIAL 40 mΩ Max.  
AFTER 50 mΩ Max.

1.2 PCIE CONTACT RESISTANCE: INITIAL 70 mΩ Max.  
AFTER 100 mΩ Max.

1.3 DIELECTRIC WITHSTANDING VOLTAGE: 100 VAC r.m.s.

1.4 INSULATION RESISTANCE: 100MΩ MIN.

2.MECHANICAL CHARACTERISTICS

2.1 DURABILITY:8000 CYCLES

3.ENVIRONMENTAL CHARACTERISTICS

3.1 TEMPERATURE RANGE: -40 °C ~ 85 °C

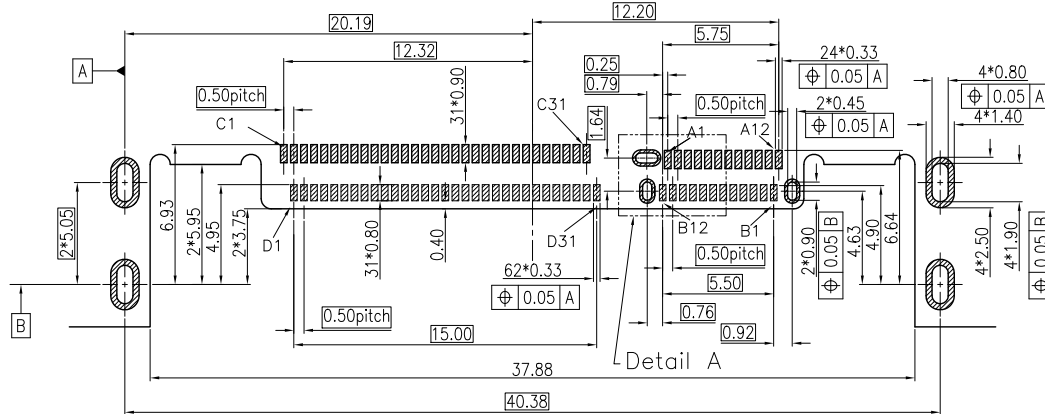
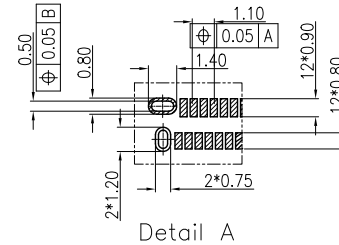
3.2. IR REFLOW:

THE PEAK TEMPERATURE ON THE BOARD SHALL BE MAINTAINED FOR 10 SECONDS AT 260°C.

4.重點尺寸檢驗標示符號“▼”.

5. PRODUCT NUMBER : 1UBC066 \* 86R11-HF

PLATING CODE:  
F:GOLD FLASH



RECOMMENDED PCB LAYOUT  
(TOLERANCE:±0.05)

GENERAL TOLERANCE		DRAWN	WeiHongSu	01/19'21	SCALE	PART NO.	1UBC066 * 86R11-HF
X.±0.30	x.'±1'	CHECKED	Ray.Lee	01/19'21	N/A	TITLE	2IN1,TYPE-C 24P AND PCIE 62P
.X±0.25	.x'±0.1'	APPROVED	Murray Lu	01/19'21	UNITS	mm	CUSTOMER DRAWING
.XX±0.20		File NO.	UBC06602S				
.XXX±0.10		REV.					
SHEET	2/4	QTY	1	A2	蘇州祥龍嘉業電子科技股份有限公司 Goldenconn Electronics Technology Co.,LTD		

此文件为双方检验的唯一标准  
This document is the only standard for inspection by both parties

PCIe. PIN ASSIGNMENT FOR DIRECT CONNECT APPLICATIONS

C1	PCIENB_TXP0_C	
C2	PCIENB_TXN0_C	
C3	GND	長PIN
C4	PCIENB_RXP0_C	
C5	PCIENB_RXN0_C	
C6	GND	長PIN
C7	PCIENB_TXP1_C	
C8	PCIENB_TXN1_C	
C9	GND	長PIN
C10	PCIENB_RXP1_C	
C11	PCIENB_RXN1_C	
C12	GND	長PIN
C13	PCIENB_TXP2_C	
C14	PCIENB_TXN2_C	
C15	GND	長PIN
C16	PCIENB_RXP2_C	
C17	PCIENB_RXN2_C	
C18	GND	長PIN
C19	PCIENB_TXP3_C	
C20	PCIENB_TXN3_C	
C21	GND	長PIN
C22	PCIENB_RXP3_C	
C23	PCIENB_RXN3_C	
C24	GND	長PIN
C25	PCIENB_TXP4_C	
C26	PCIENB_TXN4_C	
C27		長PIN
C28	PCIENB_RXP4_C	
C29	PCIENB_RXN4_C	
C30	GND	長PIN
C31	CON_DET_TOWER#	

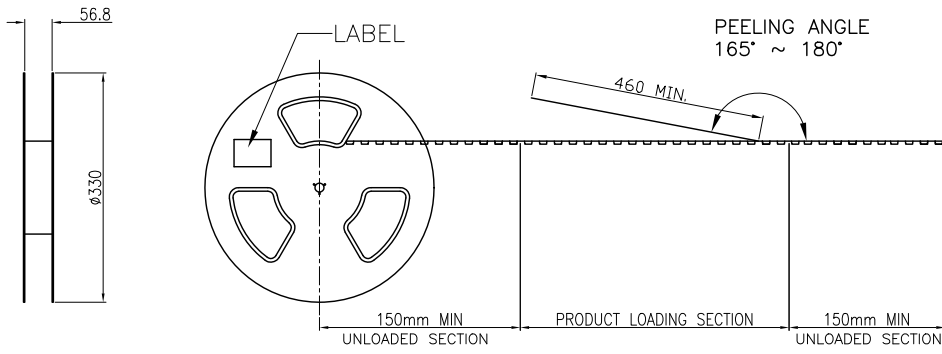
D1	PCIENB_TXP5_C	
D2	PCIENB_TXN5_C	
D3	GND	長PIN
D4	PCIENB_RXP5_C	
D5	PCIENB_RXN5_C	
D6	GND	長PIN
D7	PCIENB_TXP6_C	
D8	PCIENB_TXN6_C	
D9	GND	長PIN
D10	PCIENB_RXP6_C	
D11	PCIENB_RXN6_C	
D12	GND	長PIN
D13	PCIENB_TXP7_C	
D14	PCIENB_TXN7_C	
D15	GND	長PIN
D16	PCIENB_RXP7_C	
D17	PCIENB_RXN7_C	
D18	GND	長PIN
D19	GPU_PCIE_CLKP	
D20	GPU_PCIE_CLKN	
D21	GND	長PIN
D22	Reserve_NB	
D23	CON_SW1_DET_NB	
D24	AGPU_SMB1_CLK	長PIN
D25	AGPU_SMB1_DAT	
D26	EC_ACGPU_MCU_IRO#	
D27	P_AC_LOSS_10	長PIN
D28	DGPU_PWROK	
D29	GPU_RST#	
D30	DGPU_PWR_EN#	長PIN
D31	CON_DET_NB	

REV.	ECN.NO.	MODIFY.CONTENT	DATE
A	---	初版发行	11/02'20
A1	---	包装数量由800/卷改到400/卷	01/08'21
A2	---	依客户要求修改公差	01/19'21

TYPE-C REC. PIN ASSIGNMENT FOR DIRECT CONNECT APPLICATIONS											
A1	A2	A3	A4	A5	A6	A7	A8	A9	A10	A11	A12
GND	TX1+	TX1-	VBUS	CC1	D+	D-	SUB1	VBUS	RX2-	RX2+	GND
GND	RX1+	RX1-	VBUS	SBU2	D-	D+	CC2	VBUS	TX2-	TX2+	GND
B12	B11	B10	B9	B8	B7	B6	B5	B4	B3	B2	B1

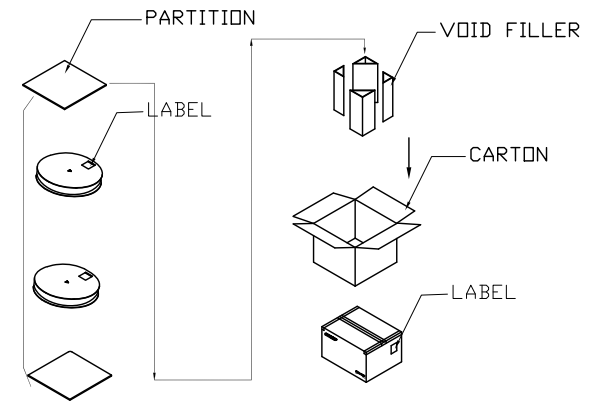
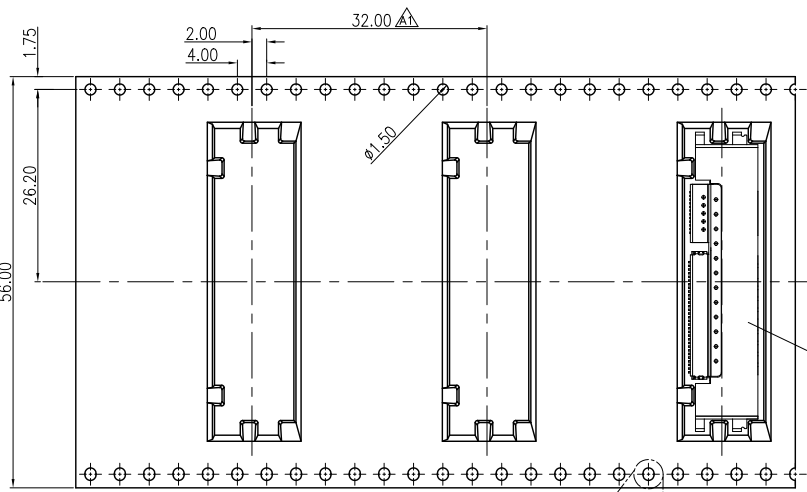
GENERAL TOLERANCE		DRAWN	WeiHongSu	01/19'21	SCALE	PART NO.	1UBC066 * 86R11-HF				
X.±0.30	x.*±1°	CHECKED	Ray.Lee	01/19'21	N/A	TITLE	ZIN1,TYPE-C 24P AND PCIe 62P				
.X±0.25	.x*±0.1°	APPROVED	Murray Lu	01/19'21	UNITS	mm	CUSTOMER DRAWING				
.XX±0.20		File NO.	UBC06602S								
.XXX±0.10		REV.	蘇州祥龍嘉業電子科技股份有限公司 Goldenconn Electronics Technology Co.,LTD								
SHEET	3/4	QTY	1	A2							

REV.	ECN.NO.	MODIFY.CONTENT	DATE
A	---	初版发行	11/02'20
A1	---	包装数量由800/卷改到400/卷	01/08'21



- NOTES :
- MATERIAL :  
COVER TAPE : P.S T=0.05mm  
CARRIER TAPE : P.S T=0.40mm  
CARTON: CORRUGATED FIBER
  - DIMENSION :  
REEL : SEE DRAWING  
SHIPPING BOX: 350X350X300mm
  - QUANTITY : SEE TABLE
  - PEELING RESISTANCE : 10gf~130gf (for 12~56mm)
  - PEELING SPEED : 300mm/MINUTES

PULL OUT DIRECTION →



400	5	2000
PCS/REEL	REEL/BOX	TOTAL Q'TY

GENERAL TOLERANCE		DRAWN	WeiHongSu	01/19/21	SCALE	PART NO.	1UBC066 * 86R11-HF
X.±0.40	x.'±1°	CHECKED	Ray.Lee	01/19/21	N/A	TITLE	ZIN1,TYPE-C 24P AND PCIE 62P
.X±0.30	.x'±0.1°	APPROVED	Murray Lu	01/19/21	UNITS	mm	CUSTOMER DRAWING
.XX±0.25		File NO.	UBC06602S				
.XXX±0.10		REV.					
SHEET	4/4	Q'TY	1	A2	蘇州祥龍嘉業電子科技股份有限公司 Goldenconn Electronics Technology Co.,LTD		